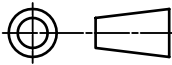
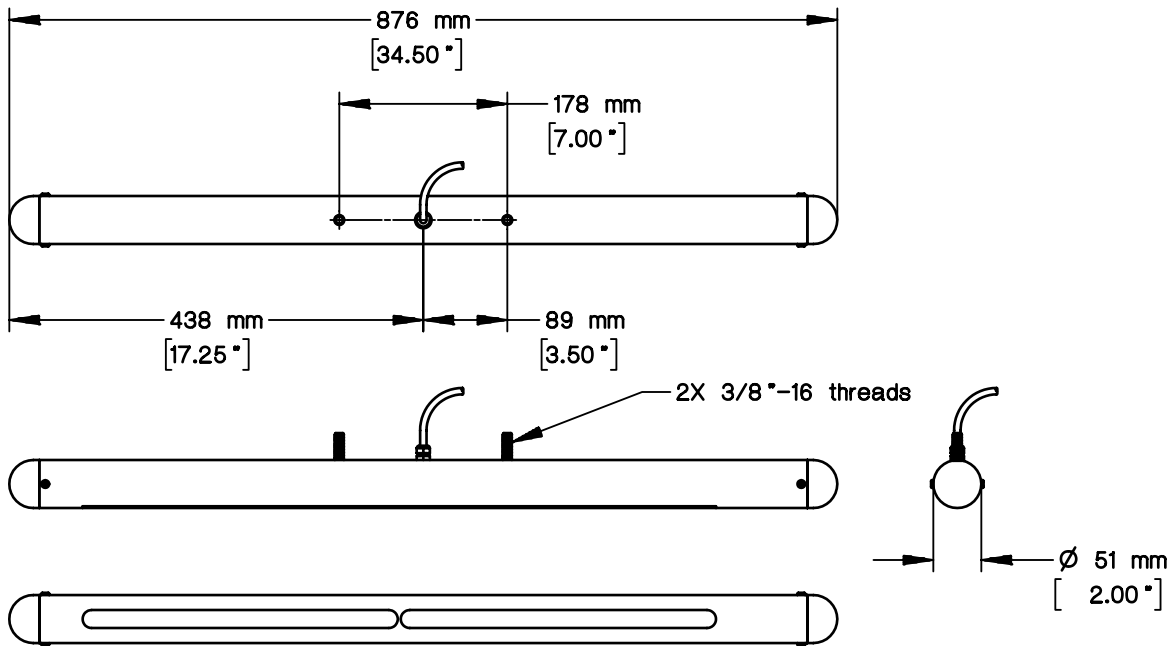



THIRD ANGLE PROJECTION		REVISIONS			
	REV	DESCRIPTION	ECO NO	DATE	CHG/CHK
	01	RELEASE TO PRODUCTION	N/A	08/19/99	JLC/RMC

Outline Drawing: SS82 housing



92-175-01 rev 01

longfilename=/home/airmar2/parts2/92/92-175-01-rev01-a.cad

UNLESS OTHERWISE SPECIFIED DIMENSIONS ARE IN INCHES TOLERANCES ON 2 PL DECIMALS ±.02 3 PL DECIMALS ±.005 ANGLES ± 1/2° FRACTIONS ± 1/32 MIN. SURFACE FINISH 250	SIGNATURE		DATE	 AIRMAR TECHNOLOGY CORPORATION 35 MEADOWBROOK DR MILFORD NH 03055-4613 USA TEL: 603-673-9570 FAX: 603-673-4624
	DRAWN	R. CULLEN	04/16/98	
	CHECKED	A. NOYES	04/17/98	
MATERIAL				TITLE
HOUSING MATERIAL IS STAINLESS STEEL				OUTLINE DRAWING, SS82 HOUSING
SIZE		SCALE: NONE	NUMBER	
A		SHEET 1 OF 1	92-175-01 REV 01	
THIS DOCUMENT AND THE DATA DISCLOSED HEREIN OR HERewith IS NOT TO BE REPRODUCED, USED, OR DISCLOSED IN WHOLE OR IN PART TO ANYONE WITHOUT THE PERMISSION OF AIRMAR.				DO NOT SCALE DRAWING